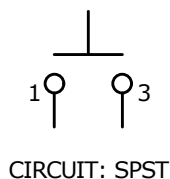
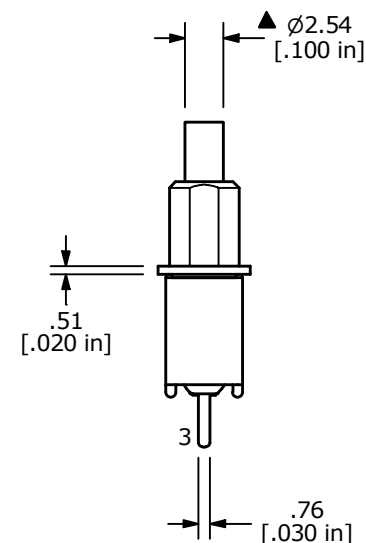
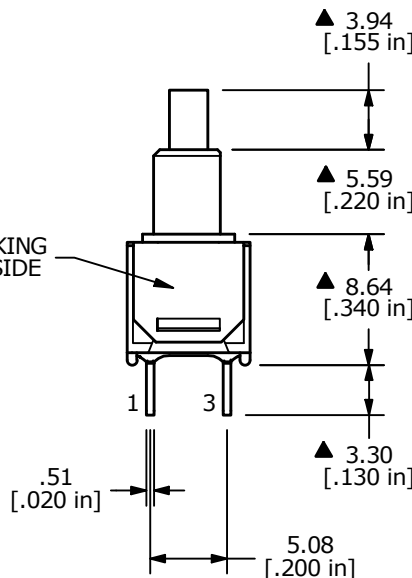


SWITCH FUNCTION	
POS. 1	POS. 2
OFF	(ON)
OPEN	1-3

(ON)=MOMENTARY



E-SWITCH MARKING
ON OPPOSITE SIDE



NOTE:

1. ALL DIMENSIONS IN MM [INCH]
2. GENERAL TOLERANCE: X.X = ±0.4
X.XX = ±0.25
3. TERMINAL NUMBERS FOR REF ONLY
- ▲ 4. CONTACT MATERIAL: COPPER ALLOY W/ GOLD
PLATE OVER NICKEL PLATE
- ▲ 5. RATING: 0.4VA @ 20V AC OR DC MAX.
6. MECHANICAL LIFE: 50,000 MAKE-AND-BREAK CYCLES
7. CONTACT RESISTANCE: 20 mΩ MAX. INITIAL @ 2-4VDC 100mA
8. INSULATION RESISTANCE: 1,000 MΩ MIN.
9. ELECTRIC STRENGTH: 1,000 V RMS @ SEA LEVEL
10. OPERATING TEMP.: -30°C to 85°C
11. ▲ DENOTES CRITICAL PARAMETER.



G	24613	update print	12/1/20	MW
F	19984	UPDATE DRAWING	06/08/11	BMA
REV	PCR NO	DESCRIPTION	DATE	BY

TITLE 800SP9B6M2RE				
SCALE 2:1	DATE 6/8/2011	DR BMA	DWG T811020	REV G

THE INFORMATION CONTAINED IN THIS DOCUMENT IS PROPRIETARY TO E-SWITCH AND IS NOT TO BE COPIED OR TRANSFERRED